

## DEEP ROOF LIGHTING

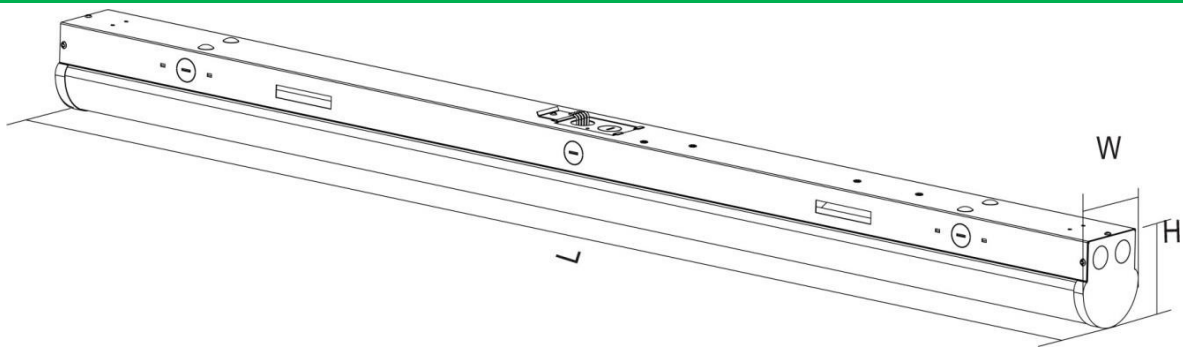
### LED Strip / Low bay Light 3G Series

#### Description

- \* High lighting efficiency 130lm/W, Ra>80;
- \* 0-10V dimmable driver, AC100-277V;
- \* Reduces energy consumption up to 60%;
- \* Glass-free;
- \* Suitable for damp location;
- \* Surface mounting installation;
- \* 5 years warranty.



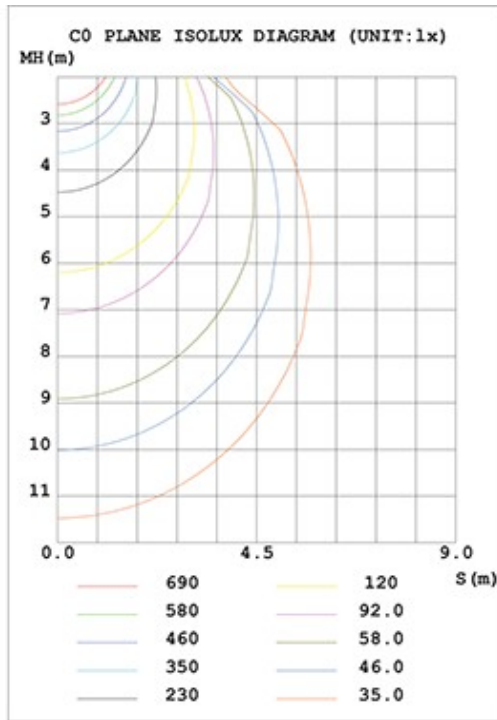
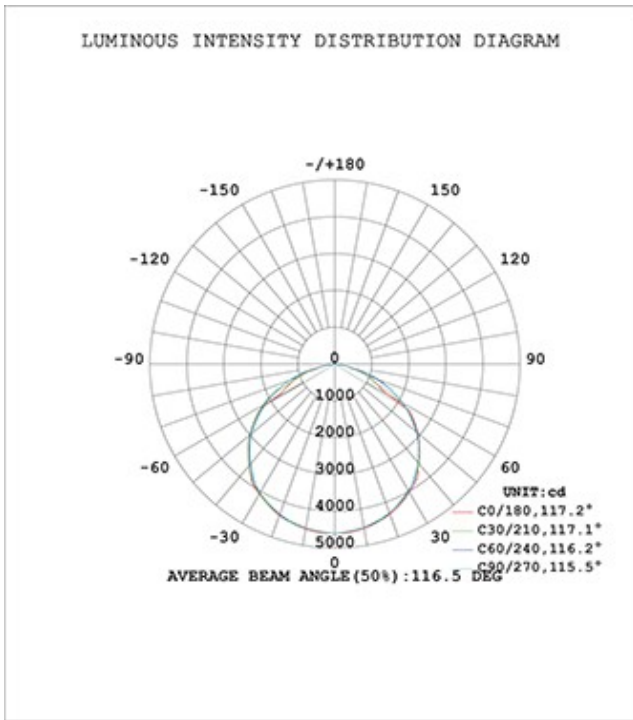
#### Dimension



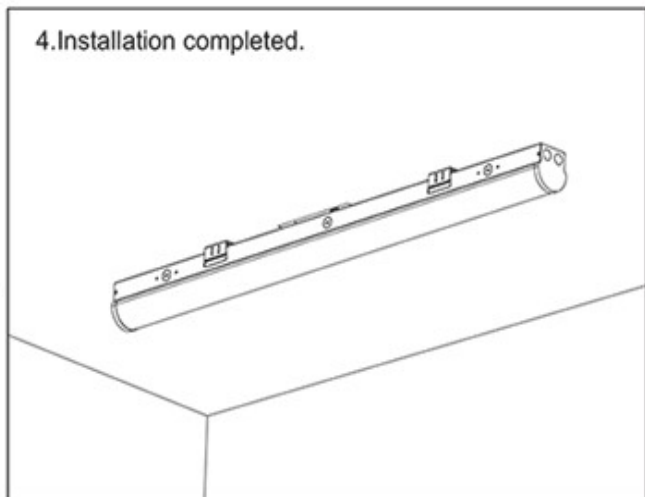
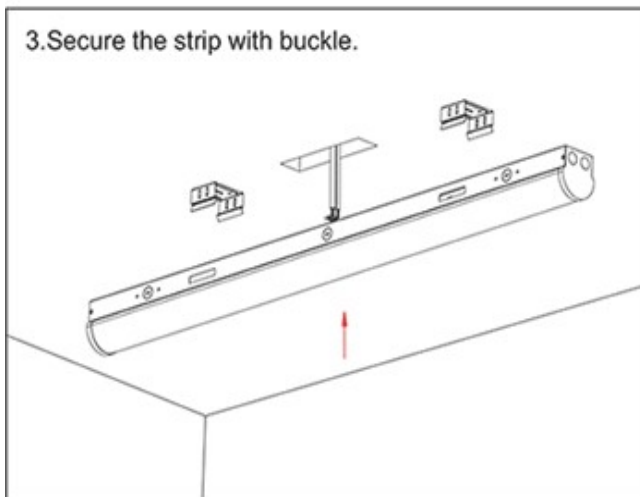
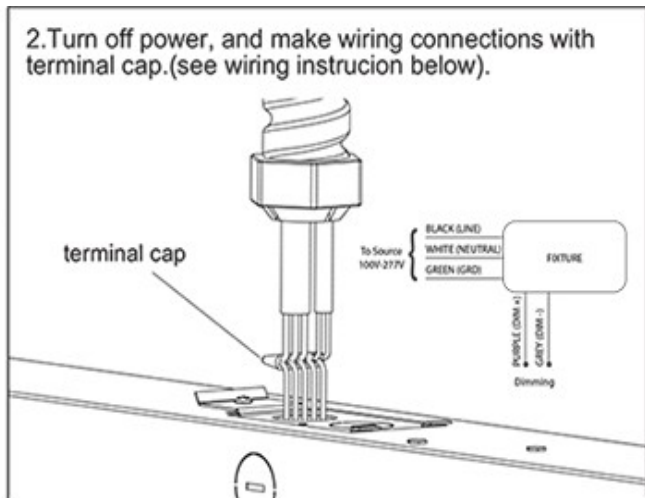
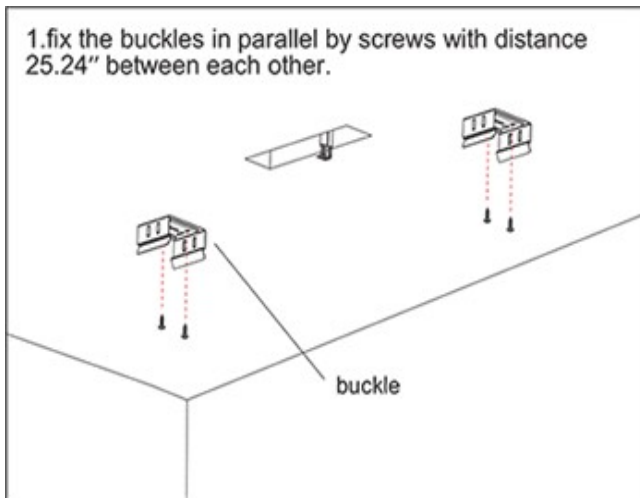
Model	L×W×H (inch)
LLSL-A220	24" x 3.11" x 3.26"
LLSL-A424W / 32W / 40W	48" x 3.11" x 3.26"
LLSL-A840W / 50W / 64W / 80W	96" x 3.11" x 3.26"

#### Specification

Size	Part No.	Power	Input Voltage	Input Current	Luminous Flux	Luminous Efficacy	CCT	Viewing Angle	Ra	PF	Warranty
2FT	LLSL-A220	20w	AC100-277V	0.22A	2600LM	130lm/W	3000K 4000K 5000K	>120°	>80	>0.9	5 Years
4FT	LLSL-A424	24w	AC100-277V	0.26A	3120LM						
	LLSL-A432	32w	AC100-277V	0.35A	4160LM						
	LLSL-A440	40w	AC100-277V	0.44A	5200LM						
8FT	LLSL-A840	40w	AC100-277V	0.44A	5200LM						
	LLSL-A850	50w	AC100-277V	0.55A	6500LM						
	LLSL-A864	64w	AC100-277V	0.71A	8320LM						
	LLSL-A880	80w	AC100-277V	0.88A	10400LM						

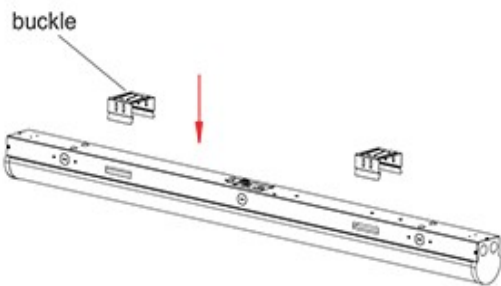


Surface Mounted Installation

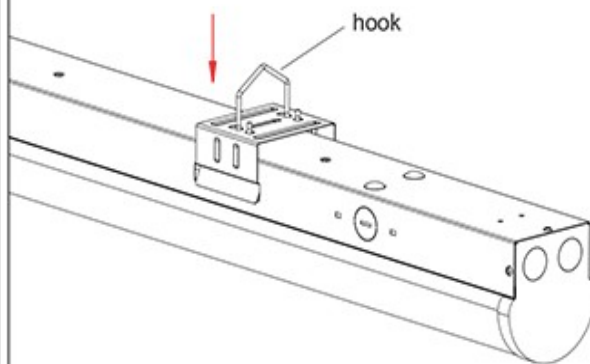


## Chain Installation

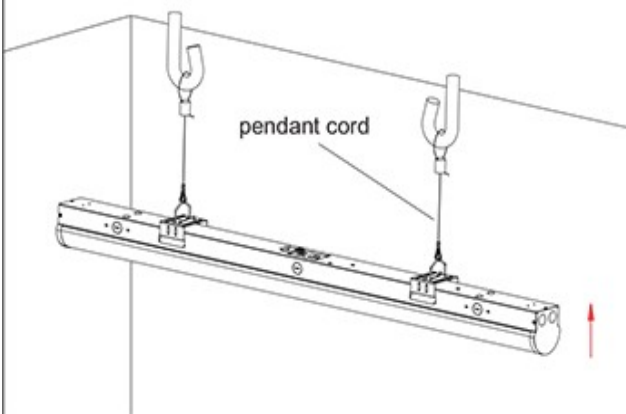
1. Snap buckle into the lamp body.



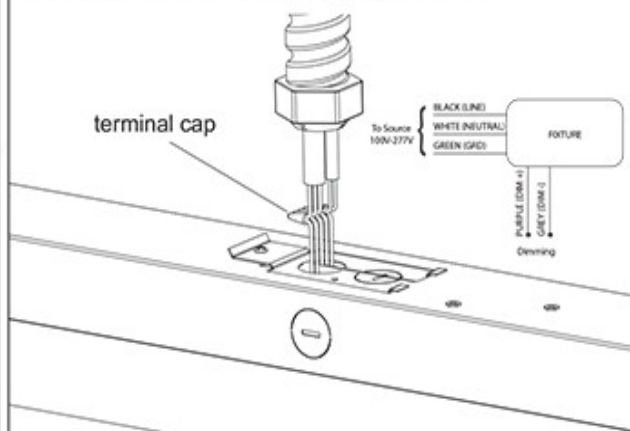
2. Attach the hook at the slotted holes of the buckle.



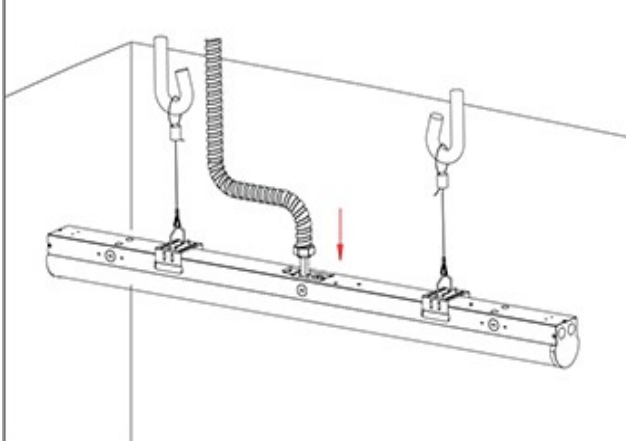
3. Hook the buckle with pendant cord and suspend the light to the desire height.



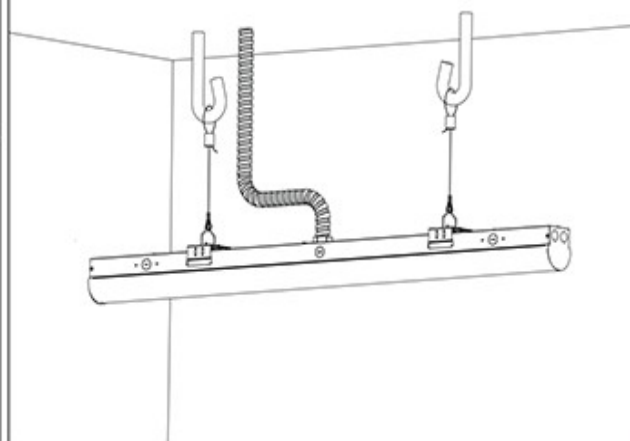
4. Turn off power, and make wiring connections with terminal cap.(see wiring instrucion below)



5. Insert the terminal block and wires into the strip.



6. Insert the wire terminal joint to the wire entry.



## Note

- The installation and maintenance must be completed by electricians or professionals.
- Please cut off the power before installation and maintenance.
- The thermally insulating material is not allowed to cover the fixture.
- Please keep away from the corrosive substance, and keep the fixture dry and clean.
- Working temperature:  $-4^{\circ}\text{F} \sim 104^{\circ}\text{F}$ , storage temperature:  $-22^{\circ}\text{F} \sim 140^{\circ}\text{F}$ .

## Important

Read this instruction carefully before installation. Keep it for further reference.

Make electrical and grounded connections in accordance with the national electrical code and any applicable code. Always turn off the power supply before installation.

This product must be installed in accordance with the applicable installation code by a qualified electrician who is familiar with the construction and operation of the product and the hazards involved.

## Packing / weight

Size	Inner box (L*W*H)	Outer box (L*W*H)	Qty/Ctn (pcs)	N.W/pcs (lbs)	G.W/Ctn (lbs)
2ft	27.2''*3.86''*4.41'' 690*98*112mm	27.95''*12.8''*10.4'' 710*325*265mm	6	2.42	20.5
4ft	51.2''*3.86''*4.41'' 1300*98*112mm	52''*12.8''*10.4'' 1320*325*265mm	6	3.66	33.2
8ft	99.4''*3.86''*4.4'' 2525*98*112mm	100.2''*10''*8.86'' 2545*255*225mm	4	6.92	41.8